

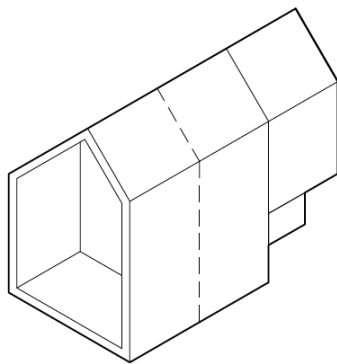
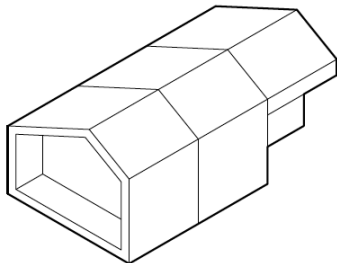
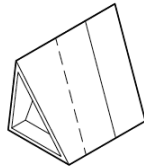
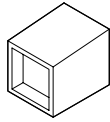


The Backcountry Hut Company



System S Installation Guide

- 1. Our Mission**
- 2. Introduction**
- 3. Diagrams**
 - 3.1 Exploded Isometric Model
 - 3.2 Left Elevation / Heights
 - 3.3 Floor Plan
- 4. Included in System S**
- 5. Foundation Requirements**
 - 5.1 Temporary Structure
 - 5.2 Permanent Structure
- 6. Electrical Requirements**
- 7. Shipping & Unloading**
 - 7.1 Site Guidelines
 - 7.2 Unloading Guidelines
 - 7.3 Unloading Process
- 8. Warranty**
 - 8.1 Final Notes



Our Mission

The Backcountry Hut Company was founded in 2015, born from a deep appreciation of the outdoors and a desire to put down roots in the places we seek adventure.

We specialize in compact modernist recreational structures crafted to rigorous standards, designed to leave a minimal impact on our environment. Our collection of prefabricated, flat-packed building systems help individuals and organizations turn dreams into destinations, and can be configured to meet a variety of uses, landscapes, and lifestyle needs.

Inspired by simplicity and the quest to provide outstanding design and value, our systems are developed with user participation in mind - with an emphasis on self-assembly and communal construction. The result is a prefabricated kit-of-parts building system that ships directly to site and can be assembled in a fraction of the time of a traditional construction process.

Whether your adventures call you to the mountains, the coast, or somewhere in between, you need a place to call home at the end of the day.

What follows is a guide for the installation of the BHC System S. This guide includes a list of included materials, and a basic understanding of the staging and install process, and longer explanations where necessary.

This guide is to help you, our client, project management, and your general contractor pull the project together for a successful experience.

Where there are discrepancies, or you find the instructions challenging please refer to the drawings which have included in this document.

If at any point you have questions, please reach out to us. It is easier and less expensive for all parties to discuss how something should be done rather than to figure out how to fix a misstep after the fact.



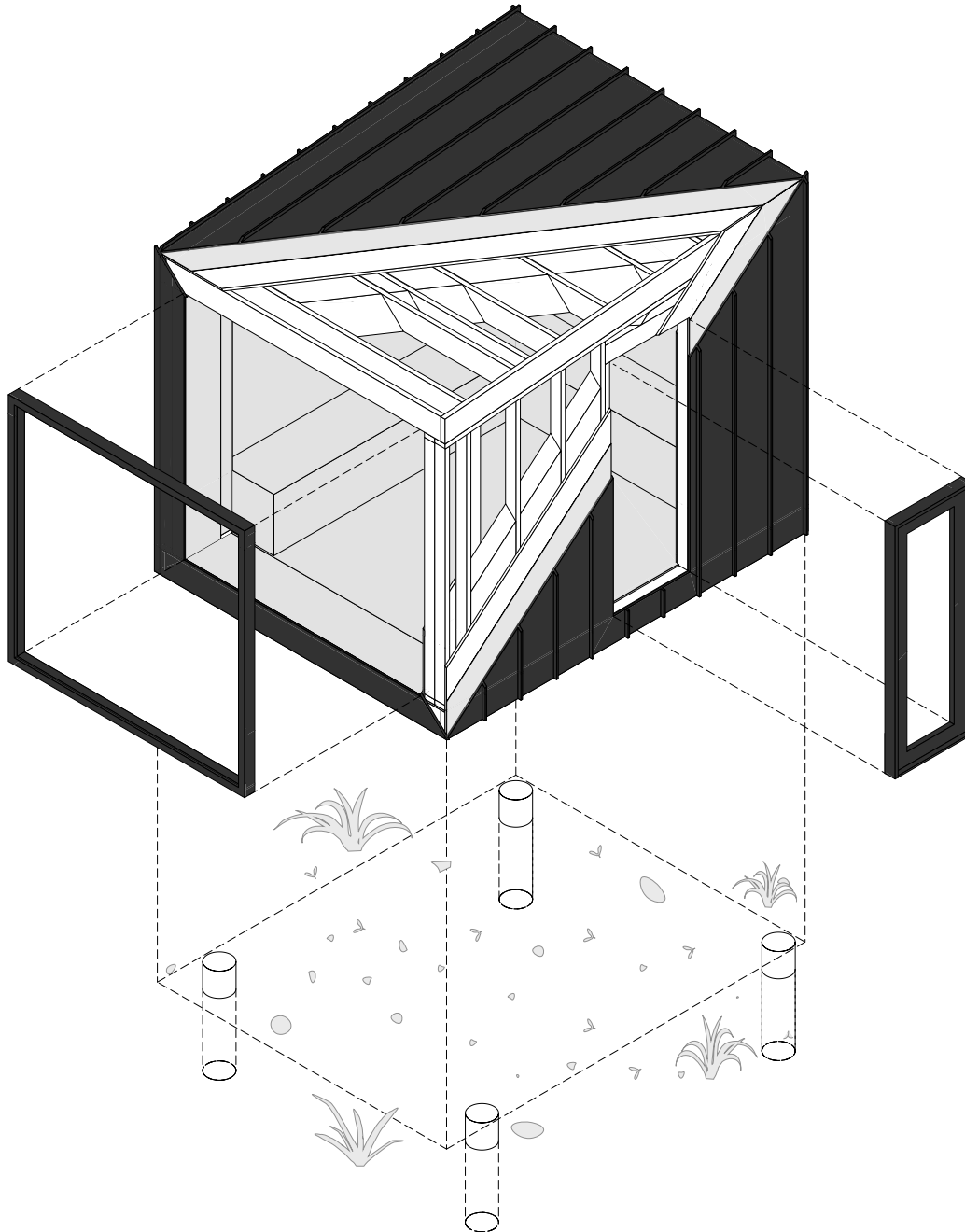


Figure 3.1 Exploded Isometric Model

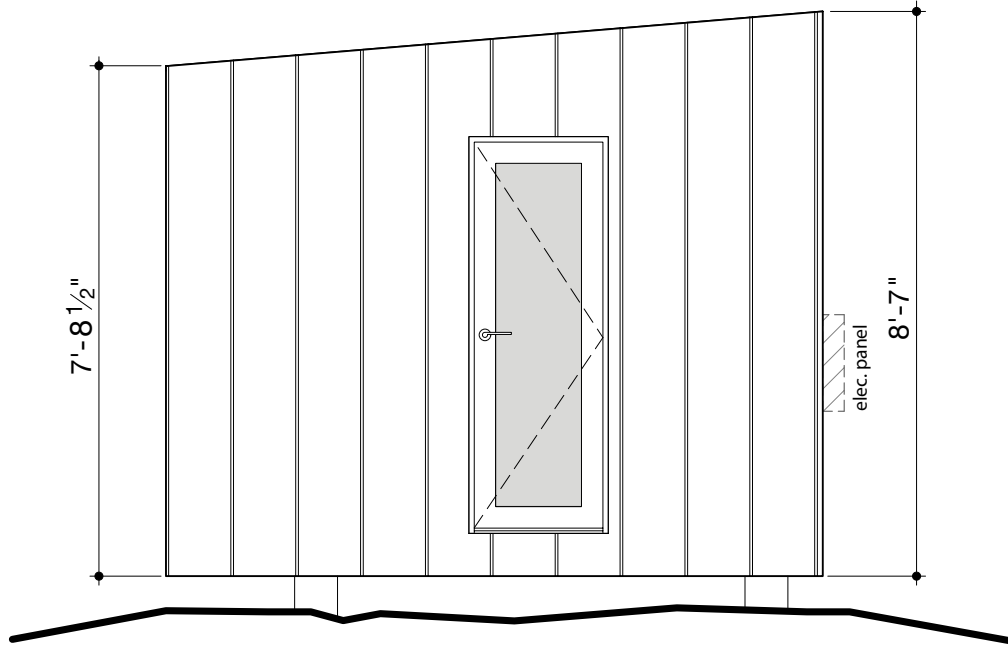


Figure 3.2 Left Elevation and Heights

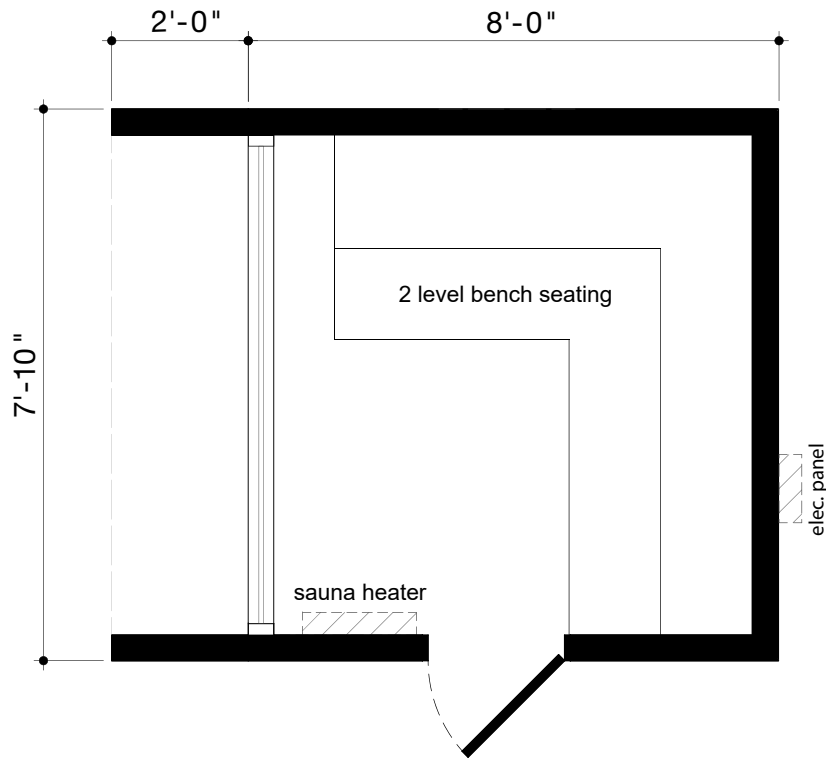


Figure 3.3 Floor Plan

4. Included in System S

Your System S will arrive as a completely assembled unit, with a shell consisting of:

- Framing System: 2x4 wall assembly, 2x6 floor and roof assembly,
- Insulation: ROCKWOOL® R-14 for wall, ROCKWOOL® R-22 for floor and roof,
- Building wrap and reflective foil vapour barrier,
- Exterior Cladding: Painted rib steel, gasketed through fasteners, custom fabricated flashing,
- Clear Cedar Interior Finishing: Bench, walls, ceiling and floor,
- Door: Clear cedar frame and jamb,
- Double glazed window: Glazing and double, tempered (where necessary), high heat tolerant fibreglass frame,

And pre-installed electrical components that are pre-tested in our factory, including:

- Tylö® Sense Plus 8 heater (8.3kw),
- Indirect LED lighting under the bench, (30,000 hour LED rating - NO EXTERIOR LIGHTING).

Your new System S will need a foundation system, and a tie-in to your home's electrical system, both of which are further explained in this guide.



5. Foundation Requirements

The Foundation System for your new System S varies depending on the specifics of your site, and the requirements of the governing municipality. You may choose to install your module as a temporary structure, similar to a shed, which may have reduced permitting requirements, but will be less stable and secure for long term use, or you may choose to install as a permanent structure. For a permanent structure, your municipality or governing body may require further documentation and permitting prior to install. Please note, that the required connection to the foundation may vary based on local or regional codes or ordinances and can vary depending on the specifics of your site. Therefore, BHC does not provide any hardware to connect the sauna to its foundation and suggests confirming the requirements with your AHJ.

5.1 Temporary Structure

For a temporary structure, we suggest concrete pavers to be provided by you. Please note that these requirements may vary based on local or regional codes or ordinances, and all work must conform to the requirements outlined by the governing body.

5.2 Permanent Structure

For a permanent installation, we recommend four sonotube formed footings and piers: provided by you. The piers should provide a platform that is both level and straight, and should align with the framing members of your System S. The floor system has joists and blocking in the floor framing to allow you to attach the site-specific owner supplied Hold-Down/Brackets. Please note that these requirements may vary based on local or regional codes or ordinances, and all work must conform to the requirements outlined by the governing body. BHC will provide Installation Drawings once the client has provided the 75% Fabrication Payment.

6. Electrical Requirements

To safely provide power to your new System S Module, you should have a licensed electrician install a 50 amp, 120/240v, #6 copper electrical connection to your selected install location. Please note that these requirements may vary based on local or regional codes or ordinances, and all work must conform to the requirements outlined by the governing body.



7.1 Site Guidelines

To ensure a safe and streamlined installation process, your chosen location for your new System S should be as flat as possible. For transportation, you should have clear road or lane access, with a minimum of 14' of overhead clearance and clear access for a max. 53' transport truck. The truck will get as close as possible to the desired location. It is the client's responsibility to place it in its final location.

The electrical tie-in and foundation system should be installed and inspected in advance of delivery to ensure a seamless installation process.

7.2 Unloading Guidelines

Unloading equipment to be provided by client.
Client should use care when unloading the package.

BHC strongly recommends the use of a crane to unload the packages:

- Use spreader bar to avoid damaging the siding and flashing (see Figure 3.4 Crane with Spreader Bar)
- Set the spreader bar to be slightly wider than the unit. The crated unit is 8'6" wide
- Sauna weight 3500 lbs
- Client/GC to ensure access and reach of crane

If client is using a forklift, they need to use extended forks. Please be mindful to protect the siding and flashing.

Note: Carrier won't wait to allow the client to test the electrical system.

One hour unloading allocated. Anything above will be billed to the client at an hourly rate.

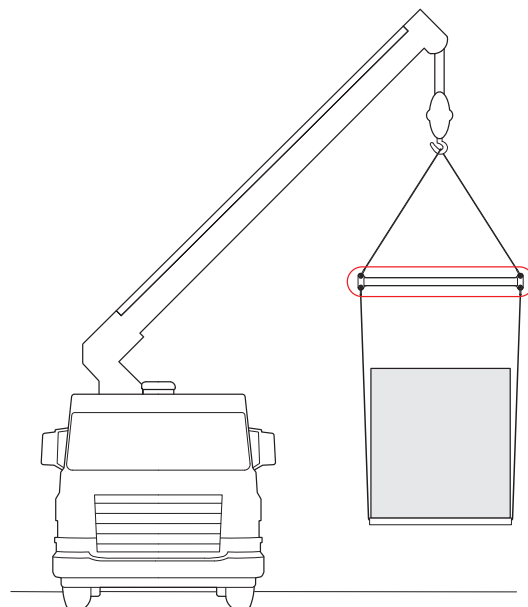


Figure 3.4 Crane with Spreader Bar

7.3 Unloading Process

Prior to unloading, client must take the following pictures:

- Clear pictures of all four sides of the System S
- Picture of the interiors, including pictures showing the heater*
- Picture of the front glazing*

*In order to take a picture of the interiors and glazing, client can cut open shrink wrap on glazing side and take pictures of the interior through the front glazing.

Once unloaded, the client has 24h to review and test the whole system and to report any discrepancies with supporting photos.

Due to BHC's experience with unloading numerous trucks across Canada and the USA, BHC has the following statements:

- BHC is only responsible for coordinating transportation services. The transportation services are at the client's costs.
- BHC and its transportation partners are not responsible for any damages which may occur by clients in unloading the packages.
- BHC strongly recommends the use of a crane to unload the packages.

BHC warrants that all factory workmanship in the various components, assemblies, and other materials supplied has been completed in a good and workmanlike manner in keeping with accepted standards of manufacture and that any faulty workmanship will be corrected without charge upon delivery. This does not include labour, installation, or shipping costs. No provision is made herein for, checking, twisting, or warping of the wood which would be considered a natural characteristic. No provision is made herein for the decay or deterioration of any component.

The Purchaser must make any warranty claim against the material/component manufacturer for any defective material and/or component supplied by BHC, but not manufactured by BHC. Tylö® sauna heaters are warranted for 5 years from date of purchase by the Canadian distributor. No warranty covers, and BHC shall have no liability for, any costs or expense of any labour, materials refinishing, or painting associated with the installation, removal, or replacement of the defective product or component part, or for any costs, expenses or damage due to accident, fire, act of God, or other cause beyond the control of BHC, the buildings contractor, or their agents. Repair, replacement, or refund, as provided under any BHC warranty, is the exclusive remedy of the Purchaser and the choice is at the discretion of BHC. To the extent permitted by law, BHC shall have no liability for any consequential or incidental damages caused by defective materials, and have no further liability except as expressly stated herein.



8.1 Final Notes

We want your project to be highly successful and are willing to help to make that happen. Please send us a list of your questions after reading this document so that we can address them promptly.

Any feedback is also welcome.

Thank you for selecting The Backcountry Hut Company to be a part of your project.



@thebackcountryhutcompany